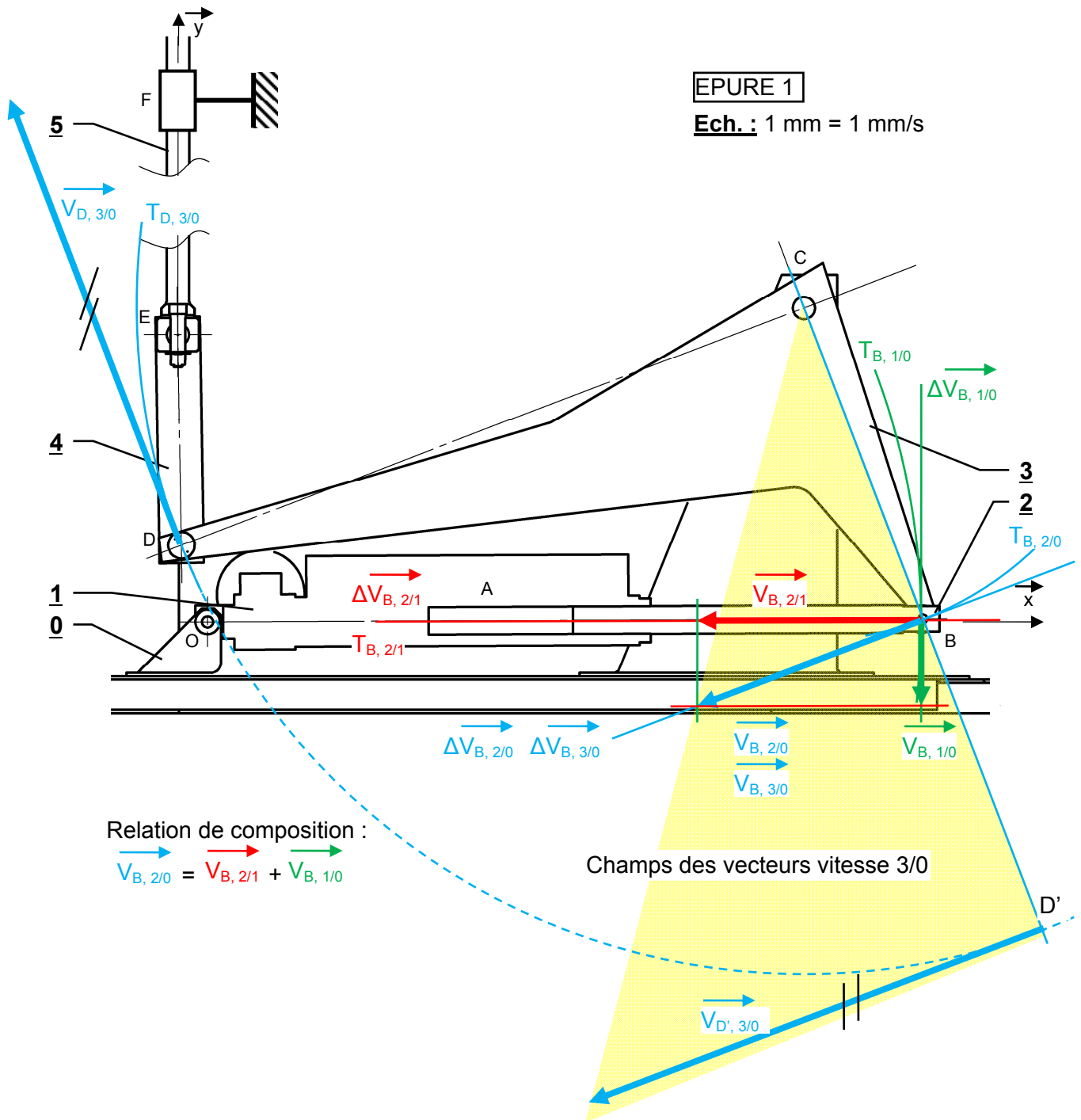


EPURE 1

Ech. : 1 mm = 1 mm/s



EPURE 2

Ech. : 1 mm = 1 mm/s

